



WTD-2000

Tripod Turnstile

Features

- Dimension 1200x280x980mm
- Unlock time 0.2s
- Passage width ≤550mm
- Throughput rate 35p/m
- Power supply 100~240v
- Operational voltage 24v
- Max power consumption 30w
- Frequency 50~60hz
- Protection Level- IP45



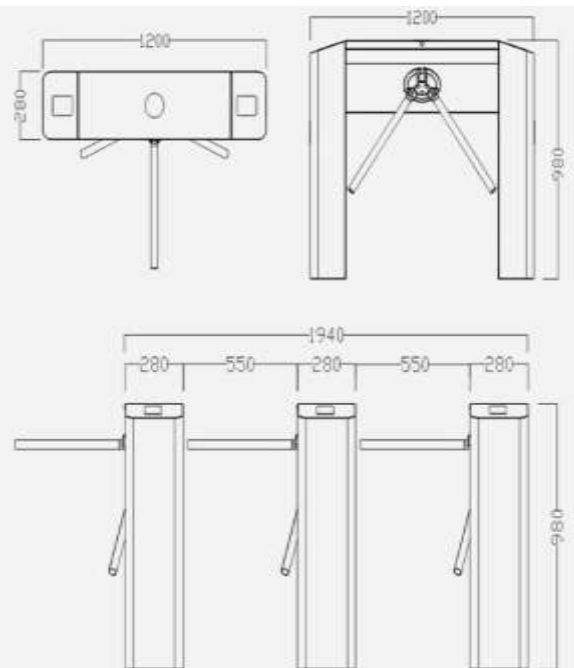
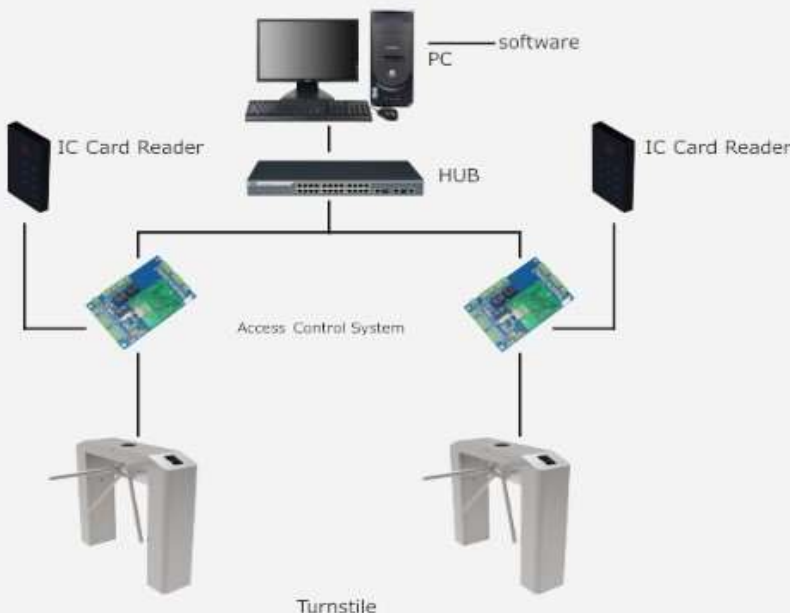
Benefits

All turnstile models are space efficient security barriers, with a compact design, yet offer sufficient space to integrate any access control system. They can be mounted with display, passage counter, card reader, token operation traffic lights, command console, alarm system against unauthorized entries, The unique dropping arm feature provides a fail safety solution in case of an emergency or power failure, providing egress in case of crisis evacuations. Durability with minimal maintenance means years and millions of trouble free passages. The turnstile creates a secure environment in. for example, a reception area. Our turnstile are used in different applications including stadiums and arenas, perimeter and interior security, recreation and amusement parks, retail crowd control, transit fare collection and lobby access control.

Diagram

Dimension

Access Control System



\*Color/Look may vary from actual product.