



## X-Ray Baggage Scanner

### WTD-AT5030A

#### Product highlights

- \* Multilingual operation
- \* Automatic built in test and self diagnosis
- \* Secure access Key
- \* Threat alert and material classification
- \* Auto archiving
- \* Energy saving design
- \* One key turn off
- \* Drugs and explosives inspection
- \* Indication of the date and time
- \* baggage counter



#### Physical Specifications

Unit weight (kgs)	260
Unit size (mm)	1660(L)*746(W)*1165(H)

#### After packed in wooden pallet -

Gross weight (kgs)	350
Packing size	179*87*137cm

#### General Specifications

Tunnel size(mm)	500(L)*300(W)
Conveyor Speed(m/s)	0.22
Conveyor height(mm)	668.5
Conveyor Max Load(kgs)	100
X ray dose per each inspection	$\leq 3.5\mu\text{Gy}$
X ray leakage	$<1\mu\text{Gy/h}$ at any point 5 centimeters outside the external surface
Steel penetration	8 mm guaranteed



# WOT DIGITAL SERVICES PRIVATE LIMITED

Address: 16,Street Address 1(A), Maruti Kuni, Bhondsi, Sohna Road, Gurugram, HR 122101  
Mob: +91-9518203119 , Mail: [info@wotdgroup.com](mailto:info@wotdgroup.com) , Url: [www.wotdgroup.com](http://www.wotdgroup.com)

Wire Resolution	Dia 0.0787mm copper wire (AWG40) guaranteed
Penetration Resolution	Dia 0.202mm copper wire (AWG32) guaranteed
Spatial resolution:	Horizontal:dia 1.0mm, Vertical: dia 1.0mm
Power Consumption	max. 500W
Noise	<60 dB
Film Safety	Guarantee ASA/ISO1600 Film

## X-ray Generator (single)

Anode Voltage	80 KV
Ray direction	Upward
Cooling / Duty Cycle	Sealed oil cooling /100%

## Imaging System

X-ray Sensor	L-Shaped Photodiode Array, 12bit deep
Images process	24bit real time processing ,4colors analysis, Images displayed marked date and ID No., Count the number of bags
Image display	High resolution of 1024 * 1280 pixel; Image Grey Level: 4096
Image Enhancement	1-16times enlargement continuity, Color/BW, negative, high/low penetration enhancement, brightening, darkening, gray level scan, super enhancement, elimination of organics/inorganics, local enhancement, pseudo color processing, edge enhancement, etc.
Explosives & Narcotics Detection	Suspicious organics highlight(atomic number Zeff=7,8,9)
Suspicious Alarm	Alarm and box line the suspicious objects including hard to penetrate material, explosives and drugs
Threat Image Projection(TIP)	Inserting fictional, but realistic images of threat items into baggage during screening operation, for maintenance of vigilance, as well as training and assessment of image identification capability
Image Recall	30 images recallable
Image Archive	Up to 10,000 images stored automatically, enable transferring to USB disk, and converting to JPG, BMP and other general formats
Miscellaneous Functions	Time/date display, counters, user management, system-on/X-ray-on timers, power on self test, built-in diagnostic facilities, system log, system standby and stimulant training, etc.
Options	Dual-direction scanning, inteligent roller, etc.

## Operating Environment

Operation temperature/Humidity	5°C-40°C / 0%-90%(non-condensing)
Storage Temperature/Humidity	-20°Cto 60°C / 10%-90%(non-condensing)



# WOT DIGITAL SERVICES PRIVATE LIMITED

Address: 16,Street Address 1(A), Maruti Kuni, Bhondsi, Sohna Road, Gurugram, HR 122101  
Mob: +91-9518203119 , Mail: info@wotdgroup.com , Url: www.wotdgroup.com

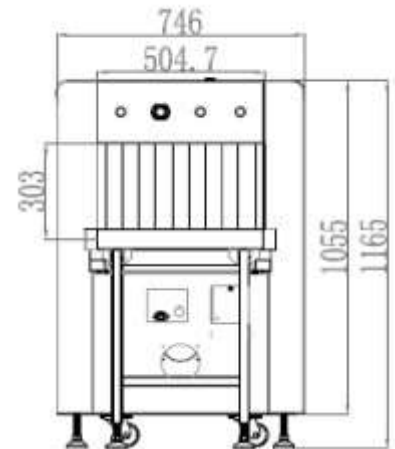
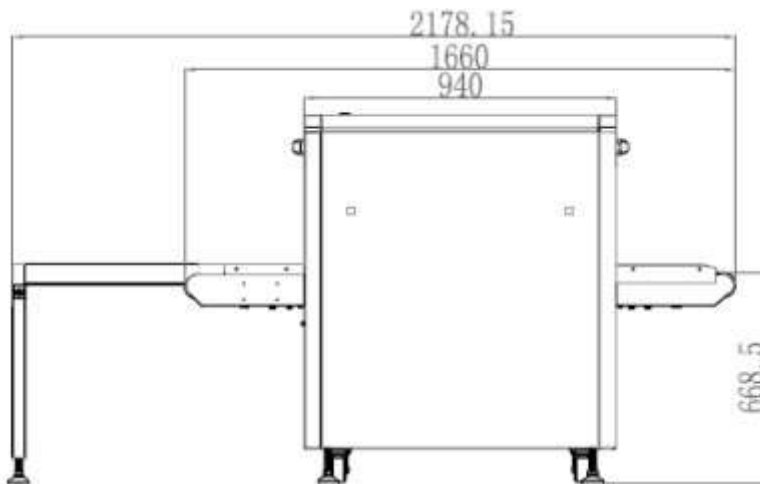
Operation Power 220VAC(±10%) 50±3Hz (Optional: 100VAC,110VAC,120VAC,200VAC)  
UPS Options: 15mins, 30mins, 60mins etc

## Computer and other

Monitor	High Resolution Color, 1280*1024 LCD Accord, 17inch
RAM	1GB
Keyboard	Special designed
System	Embedded Linux operating system, multi core ARM, stable and reliable
Electric roller	Single-phase

## Compliance

International	* ISO19001 ; ISO14001 ; OHSMS18001 ; * CE RoHS* FDA FCC
---------------	---



WOT DIGITAL SERVICES PVT.LTD. www.wotdigitalservices.com info@wotdgroup.com



DISCLAIMER : Brief specification are mentioned here. Specification may change without prior notice. Customer are advised to check with us before purchase  
Actual product may differ slightly to that depicted for ongoing product development