



WTD  
RB5000



INFO@WOTDGROUP.COM

WWW.WOTDIGITALSERVICES.COM

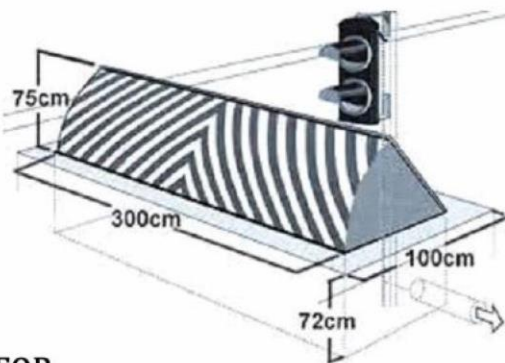
**Features:**

- Provides noise free smooth operation because of hydraulic operated mechanism
- Emergency buttons with lock down
- Traffic lights and back-indication system
- Stop/no entry/warning signage
- Integral inset warning lights in blocking segment
- Speedy and durable due to the use of hydraulic pressure
- Accumulator systems for hydraulic operation in power fail conditions
- Signalization LEDs blinking during the up and down movement of the blockers
- Optimization of frame structure, high anti-impact capability, high loading capability

**WTD-RB5000**



The 5000 series automatic rising road blocker is suitable for embassies and airports, along with other high profile buildings, and comes in lengths of 3M, 4M and 5M, rising 750mm from the ground.



**IDEAL FOR**

1. - Military bases
2. - Embassies
3. - Ministries
4. - Government Sites
5. - Industrial Sites
6. - Security Checkpoints

Model	ARB - 5000
Platform Height	750 mm
Platform Length	3-6 m
Platform Material	Fe 360
Platform Finish	Powder Polyester Paint
Movement Operations	Hydraulic
Rising Time	5 Sec
Lowering Time	3 Sec
Breaking Resistance	18,000,00 J
Impact Resistance	1,000,00 J
Maximum working pressure	30 Bar
Protection Class	IP 67
Power Supply	3 Phase 415 V 50 Hz
Power Absorbed	500 W
Working Temperature	-40°C +70°C
Usage Frequency	2400/day Intensive
Average Life Cycle	20,000,00

Accessories:-



Control Board



Loop Detector



Traffic Light



Safety beam



ELV Switch



Flash Lamp

